

muli

VERSION EN 25.1

Assembly Instructions Advertising banners

General information

With a customised advertising banner, you can use the muli as advertising space for your business. Whether it's a restaurant, delivery service or craft business. If you use your muli commercially, you can use the advertising banner to make your company visible to everyone.



On our download portal you find these assembly instructions in English and other languages and always up to date:

<https://muli-cycles.de/en/downloads>



EN

Text types used

This manual uses the following text types and lists:

- 1 Instructions (in a fixed order)
- Instructions for action (in any order)

Symbols used / Labelling

This manual uses the following symbols and labelling labelling:

- ⚠ The circled exclamation mark indicates important additional information.

Scope of delivery

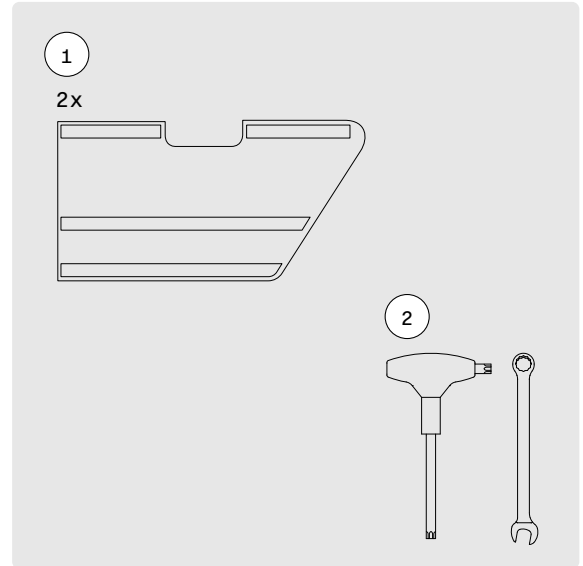


FIG. 1

1 ADVERTISING BANNER

- 2x advertising banner
- 8x adhesive strips
(pre-assembled)

2 TOOLS REQUIRED

- 1x Torx TX20
- 1x open-end spanner 7 mm

Removing the basket fabric

⚠ First install the advertising banner on one side of the basket and then repeat the steps on the other side of the basket.

- 1 Mark the position of the 6 screw connections of the basket fabric on the inside, e.g. with the help of an Edding. (Fig. 2)
- 2 Loosen the 6 screw connections of the basket material. (Fig. 3)
- 3 Remove the edge protection on the recessed grip. (Fig. 4)



FIG. 2



FIG. 3



FIG. 4

Installation of advertising banners

❗ Clean the surface before applying the adhesive tape. The best adhesion is achieved on dust and grease-free surfaces.

- 1 Remove the protective paper from the upper adhesive strips. Place the advertising banner flush around the recessed grip and stick it straight and crease-free. (Fig. 5)
- 2 Then remove the protective paper from the the centre adhesive strip and stick the advertising banner further down. Finally, remove the bottom protective paper and stick the advertising banner fully onto the basket. (Fig. 6)
- 3 Use a pointed object to mark the 6 labelled positions of the screw connections. (Fig. 7)



FIG. 5



FIG. 6

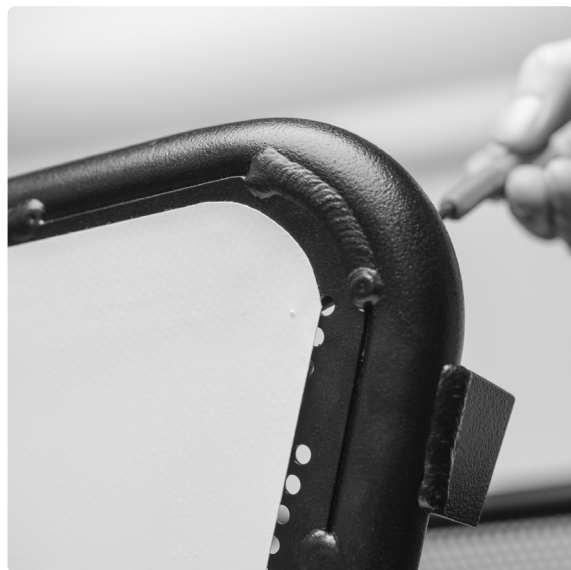


FIG. 7

- 4 Using a pointed object, pierce from the outside 6 holes in the advertising banner. (Fig. 8)
- 5 Mount the basket fabric with the 6 screw connections to the basket. Pay attention to the washer on the inside of the basket. (Fig. 9)
- 6 Fit the edge protection to the recessed grip. (Fig. 10)

⚠ Make sure that the advertising banner remains crease-free. The edge protection must fit over the advertising banner.

- 7 Repeat the process on the other side of the basket.



FIG. 8



FIG. 9



FIG. 10

Imprint

BA-EX-21V25.1
©multi cycles GmbH

Widdersdorfer Str. 190
50825 Cologne

www.muli-cycles.de